

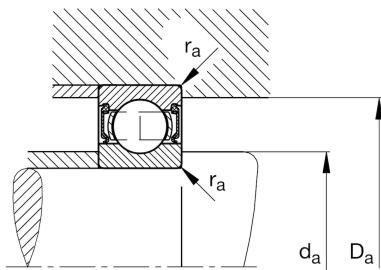
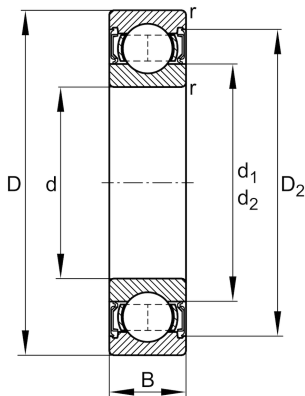
FAG

61809-2RSR-Y

Deep groove ball bearing

Schaeffler ID:
0748578510000Deep groove ball bearing 618..-2RSR-Y,
single row, seals, brass sheet metal cage

Technical information

**Main Dimensions & Performance Data**

d	45 mm	Bore diameter
D	58 mm	Outside diameter
B	7 mm	Width
C_r	7.000 N	Basic dynamic load rating, radial
C_{0r}	5.900 N	Basic static load rating, radial
C_{ur}	400 N	Fatigue load limit, radial
n_G	5.400 1/min	Limiting speed
	0,039 kg	Weight

Dimensions

r_{min}	0,3 mm	Minimum chamfer dimension
D_2	55,4 mm	Caliber diameter outer ring
d_1	49,1 mm	Shoulder diameter inner ring

Mounting dimensions

d_{amin}	47 mm	Minimum diameter shaft shoulder
D_{amax}	56 mm	Maximum diameter of housing shoulder
r_{amax}	0,3 mm	Maximum fillet radius

Calculation factors

f_0	16,3	Calculation factor
-------	------	--------------------

Temperature range

T_{min}	-30 °C	Operating temperature min.
T_{max}	100 °C	Operating temperature max.